



- ➔ Eye-catching
- ➔ Vandalism resistant
- ➔ Versatile
- ➔ Elegant design
- ➔ Purpose-built
- ➔ Multi-OS compatible
- ➔ Remote management
- ➔ Eco-friendly
- ➔ Wall-mounted

Meet INVITE! The unique screen solution that enables digital signage in places and in ways that were previously impossible. Our modular structure is one of a kind, unusual, extremely user friendly and can easily be integrated with any custom solution and any desired application.

Cover options

We provide multiple cover options for our screens. This allows you to choose the cover that best matches your aesthetic preferences or functional requirements.



Frameless cover



Frame cover narrow



Frame cover wide



Safety cover

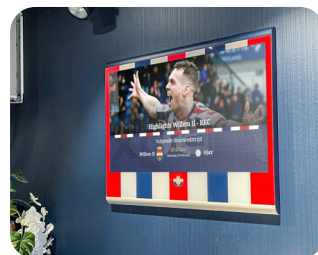
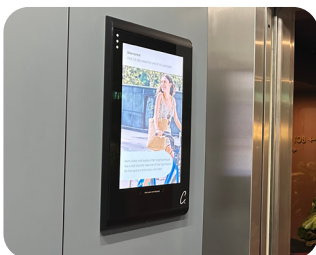
Multicover

Sometimes it is nice to combine multiple screens. With the modular structure of the INVITE we can easily combine multiple screens within 1 cover.



Custom designed display

Customize your INVITE Display by incorporating a personally designed glass plate to complement your interior design or theme. Additionally, you have the option to include your own illuminated logo on both the INVITE Display and Mirror.





Embedded player

In the INVITE concept, we presume the integration of the media player within the housing, providing a secure, enclosed solution. Nevertheless, there is flexibility to position the player outside the housing if desired.



Direct wall-mount

The intelligent design of the INVITE eliminates the need for a separate mounting bracket. The screen is directly wall-mounted, ensuring a slim profile with a total depth of only 36mm, enhancing the overall sleekness and functionality of the display.



Touch

Some INVITE Displays and Mirrors are optionally available with touch. Others on request. Ask for the possibilities.

Optional IR sensors

The INVITE features integrated IR sensors serving various purposes. These sensors support sustainable practices by automatically dimming the backlight when the user is not in proximity of the screen. Additionally, they enable dynamic content triggers and alterations based on the presence or absence of individuals in front of the screen.

PoE

The INVITE offers an optional PoE++ module for delivery, providing Power over Ethernet (PoE) functionality. This module allows the device to receive both data and power through a single Ethernet cable, streamlining installation and reducing the need for additional power sources.

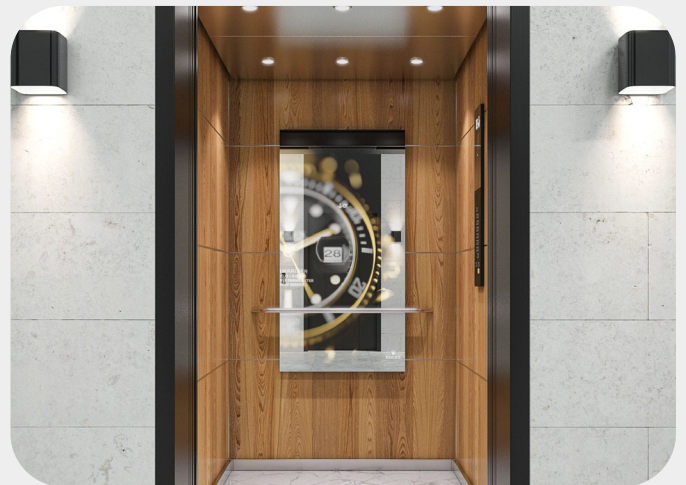


INVITE mirror

The INVITE is offered as a premium digital mirror, featuring the finest quality reflective surface in the market. This mirror ensures optimal reflection while seamlessly displaying your content, offering a unique and versatile solution for applications in retail, office and indoor media.

IR sensors

With seamlessly integrated IR sensors, effortlessly trigger content adjustments, such as resizing or switching to a different template, based on the presence or absence of individuals in front of the mirror.



Platform

Our screen solutions offer you the freedom to select the player platform and operating system (OS) of your choice.



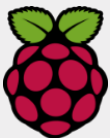
BrightSign OS stands out in digital signage for its purpose-built design, delivering high-performance playback and reliability. With features such as robust content management, remote monitoring, and a user-friendly interface, BrightSign OS ensures a seamless and efficient experience for creating and managing dynamic digital signage content across a variety of applications.



Android 9 for digital signage stands out with its user-friendly interface and robust performance, offering seamless integration with a wide range of applications and devices. Its advanced security features and efficient resource management ensure a reliable and secure operating system for powering dynamic and engaging digital signage displays.



Windows IoT excels in digital signage by providing a versatile and familiar platform, allowing for easy integration with Windows applications and services. Its robust security features, remote device management capabilities, and compatibility with a variety of hardware make Windows IoT a powerful choice for creating reliable and customizable digital signage solutions.



Raspberry Pi OS

The Raspberry Pi OS for digital signage offers cost-effectiveness and versatility, leveraging the compact yet powerful Raspberry Pi hardware. Its community-driven support, energy efficiency, and compatibility with various applications make it a standout choice for creating affordable and customizable digital signage solutions.









Chrome OS

Chrome OS for digital signage provides a streamlined and secure platform, leveraging the simplicity of the Chrome ecosystem. With automatic updates, cloud-based management, and a user-friendly interface, Chrome OS ensures a hassle-free and reliable solution for deploying and maintaining digital signage displays at scale.

Generic specifications

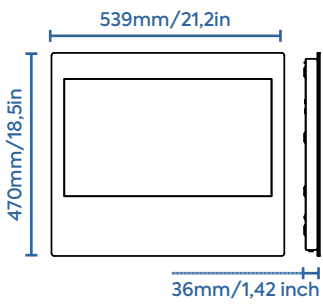
Beyond variations in screen and housing sizes, the media player options, display control board, and input/output (IO) remain consistent across all INVITE models. To facilitate clarity, we have categorized the specifications into both generic and screen-specific details.

| Player Specifications | BrightSign Built-in | | | Android | Windows / Linux OS | Linux OS | HDMI-in |
|------------------------------------|---|---|---|---|---|---|--------------------------|
| | HS125 | HS145 | XT5 | XPO 922 | LattePanda | Raspberry Pi 5 | Free of choice |
| Click or scan for more specs |  |  |  |  |  |  | - |
| OS | BrightSign OS | | | Android 9 | Windows / Chrome OS | Linux based OS (Raspbian, Debian) | tbd |
| HTML5 Performance Level | Simple HTML5 widgets | Complex HTML5 widgets | Realtime 3D applications | Complex HTML5 widgets | Complex HTML5 & simple 3D graphics | Complex HTML5 & simple 3D graphics | tbd |
| Single video decoding | FullHD | 4K | 8K | 4K | 4K | 4K | tbd |
| Dual video decoding | - | FullHD | 4K | FullHD | 4K | 4K | tbd |
| Video Codec | H265/H264 (MP4, MOV, TS, MKV) | H265/H264 (MP4, MOV, TS, MKV) | H265/H264 (MP4, MOV, TS, MKV) | H265/H264 (MP4, MOV, TS, MKV) | H265/H264 (MP4, MOV, TS, MKV) | H265 (MP4, MOV, TS, MKV) | tbd |
| Hardware Capable Interfaces | | | | | | | |
| Serial over USB | Internal commando control interface | | Communication interface with full control command set, embedded at hardware level | | | | Custom solution required |
| UART | Same protocol as Serial over USB, sharing commandset | | | | | | |
| GPIO | 5 GPIO pins with additional rewired USB | | 8 bi-directional GPIOs | - | Fullsized Arduino on-Board | Standard Raspberry PI 40 pins | tbd |
| Internal Storage | Micro SD slot (Recommended SD-HC1 UHS-1 Class 10) | | Micro SD / SSD slot | 32GB | 64GB | MicroSD slot | tbd |
| External Storage options | USB drive | | USB drive | Micro SD / USB drive | Micro SD / SSD slot / USB drive | SSD slot / USB drive | tbd |
| Motion sensors | Optional IR proximity sensors | | Optional external board | | | | |
| USB connectivity options | 1x USB-A / 1x USB (pin header) | | 1x USB-A 3.0, 1x USB-C 3.0 | 1x USB-A 3.0, 1x USB-A 2.0 | 3x USB-A 3.2, 1x USB-C (Displayport) | 2x USB-A 3.0, 2x USB-A 2.0 | tbd |
| Ethernet connection | RJ45 (100Mbit) | | RJ45 (100/1000Mbit & PoE+) | RJ45 (100/1000Mbit) | RJ45 (2500Mbit) | RJ45 (100/1000Mbit) optional PoE+ | tbd |
| Wifi | Optional module in M.2 socket | | | Wi-Fi 5 onboard | Wi-Fi 6 onboard | Wi-Fi 5 onboard | tbd |
| Bluetooth | | | | Bluetooth 5.0 onboard | Bluetooth 5.2 onboard | Bluetooth 5.0 onboard | tbd |
| Audio | | | | | | | |
| Internal amplifier | 3W RMS | | | | | | |
| Internal speakers | 2 x stereo 3W speakers | | | | | | |
| Audio out | 3.5mm Analog Line-out | | | | | | |

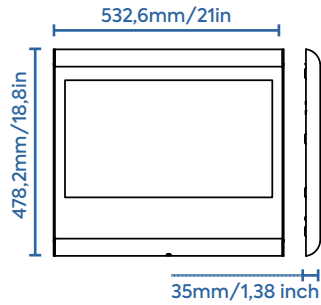
21 inch

Full measurements
metric and imperial

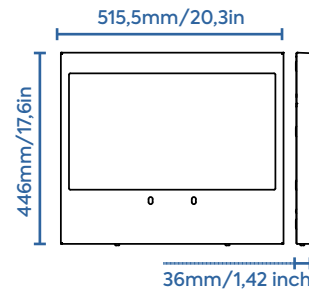
FRAMELESS COVER



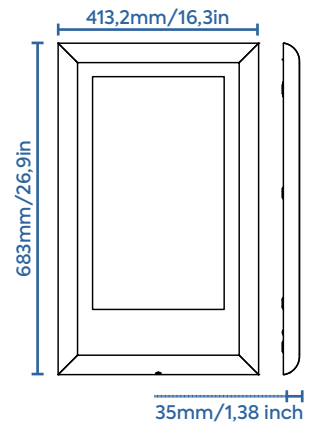
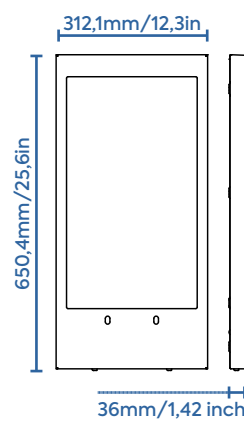
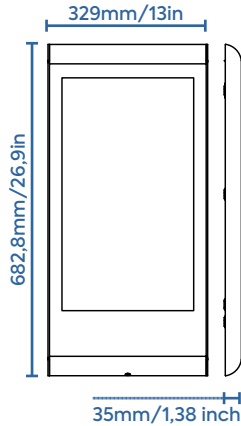
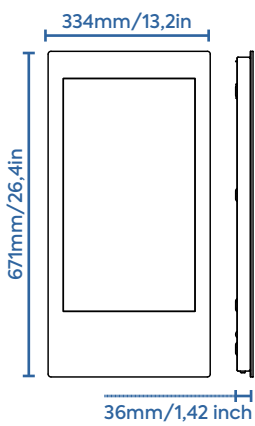
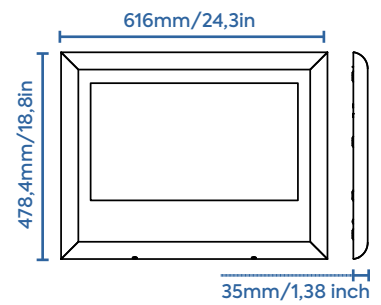
FRAMECOVER NARROW



SAFETY COVER



FRAMECOVER WIDE

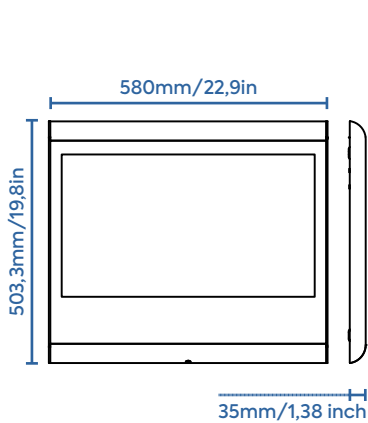


| | | 21 LS | 21 PT |
|-----------------------|-----------------------------|------------------------|-----------------|
| Panel specifications | Panel size | 21,5 inch | |
| | Panel Brightness | 250 cd/m ² | |
| | Contrast Ratio | 3000:1 (Typ.) | |
| | Display resolution | 1920 x 1080 | |
| | Viewing Angle | 89/89/89/89 (Typ.) | |
| | Pixel Pitch | 248.25 x 248.25 | |
| | Frame Rate | 60Hz | |
| Power | Operating voltage | 24V DC | |
| | Power adapter | 60W | |
| | Power consumption (typical) | 31W | |
| | POE (Optional) | PoE++ | |
| Warranty | Warranty period | 3 year warranty | |
| | Lifetime TFT panel | 50.000 hours | |
| Environmental | Weight | 8kg/17,6lb | 8kg/17,6lb |
| | Operating temperature | 10 to 40 Celsius | |
| | Operating Humidity | 10~80%, non-condensing | |
| Transport and storage | Package weight | 9kg/19,8lb | 9kg/19,8lb |
| | Package size | 79 x 56 x 12 cm | 79 x 56 x 12 cm |
| | Storage temperature | -20 to 45 Celsius | |
| | Storage humidity | 5~95%, non-condensing | |
| Options | PCAP Multi-touch | Yes | On request |
| | Extended Warranty | 5 year warranty | |

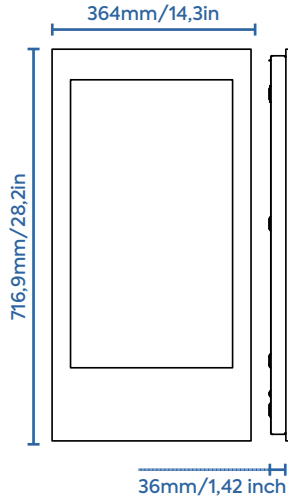
24 inch

Full measurements
metric and imperial

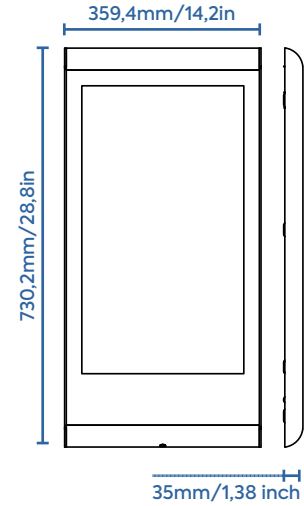
FRAMECOVER NARROW



FRAMELESS COVER



FRAMECOVER NARROW

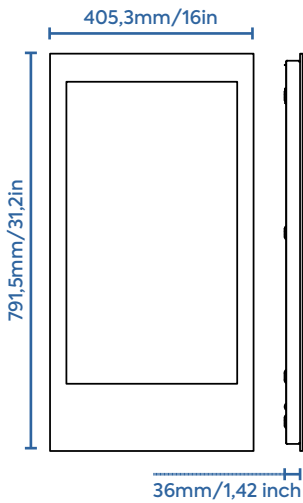


| | | 24 LS | 24 PT |
|-----------------------|-----------------------------|------------------------|-----------------|
| Panel specifications | Panel size | 23,8 inch | |
| | Panel Brightness | 250 cd/m ² | |
| | Contrast Ratio | 3000:1 (Typ.) | |
| | Display resolution | 1920 x 1080 | |
| | Viewing Angle | 89/89/89/89 (Typ.) | |
| | Pixel Pitch | 274.5 x 274.5 | |
| | Frame Rate | 60Hz | |
| Power | Operating voltage | 24V DC | |
| | Power adapter | 60W | |
| | Power consumption (typical) | 31W | |
| | POE (Optional) | PoE++ | |
| Warranty | Warranty period | 3 year warranty | |
| | Lifetime TFT panel | 50.000 hours | |
| Environmental | Weight | 11kg/24,3lb | 11kg/24,3lb |
| | Operating temperature | 10 to 40 Celsius | |
| | Operating Humidity | 10~80%, non-condensing | |
| Transport and storage | Package weight | 12kg/26,5lb | 12kg/26,5lb |
| | Package size | 85 x 59 x 12 cm | 85 x 59 x 12 cm |
| | Storage temperature | -20 to 45 Celsius | |
| | Storage humidity | 5~95%, non-condensing | |
| Options | PCAP Multi-touch | On request | On request |
| | Extended Warranty | 5 year warranty | |

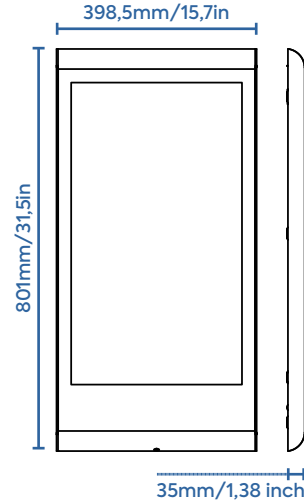
27 inch

Full measurements
metric and imperial

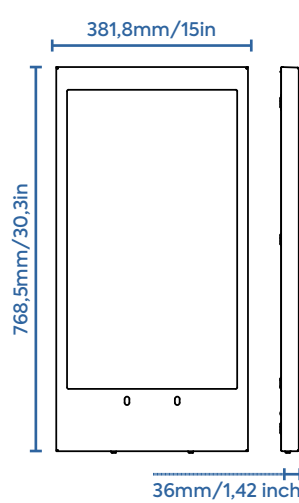
FRAMELESS COVER



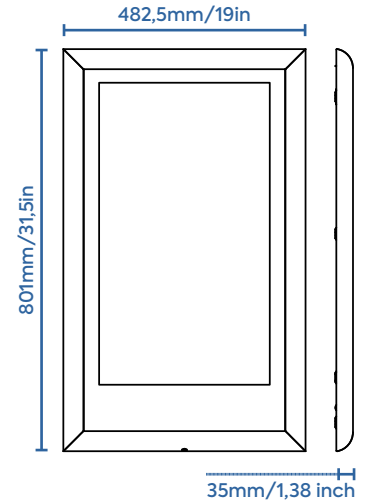
FRAMECOVER NARROW



SAFETY COVER



FRAMECOVER WIDE

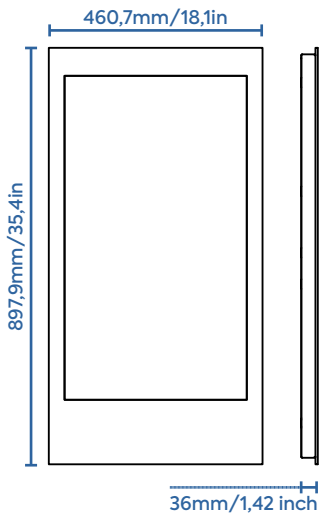


| | | 27 LS | 27 PT |
|-----------------------|-----------------------------|------------------------|-----------------|
| Panel specifications | Panel size | 27 inch | |
| | Panel Brightness | 350 cd/m ² | |
| | Contrast Ratio | 3000:1 (Typ.) | |
| | Display resolution | 1920 x 1080 | |
| | Viewing Angle | 89/89/89/89 (Typ.) | |
| | Pixel Pitch | 311.25 x 311.25 | |
| | Frame Rate | 60Hz | |
| Power | Operating voltage | 24V DC | |
| | Power adapter | 60W | |
| | Power consumption (typical) | 43W | |
| | POE (Optional) | PoE++ | |
| Warranty | Warranty period | 3 year warranty | |
| | Lifetime TFT panel | 50.000 hours | |
| Environmental | Weight | 13kg/28,7lb | 13kg/28,7lb |
| | Operating temperature | 10 to 40 Celsius | |
| | Operating Humidity | 10~80%, non-condensing | |
| Transport and storage | Package weight | 14kg/30,9lb | 14kg/30,9lb |
| | Package size | 92 x 74 x 12 cm | 92 x 74 x 12 cm |
| | Storage temperature | -20 to 45 Celsius | |
| | Storage humidity | 5~95%, non-condensing | |
| Options | PCAP Multi-touch | On request | On request |
| | Extended Warranty | 5 year warranty | |

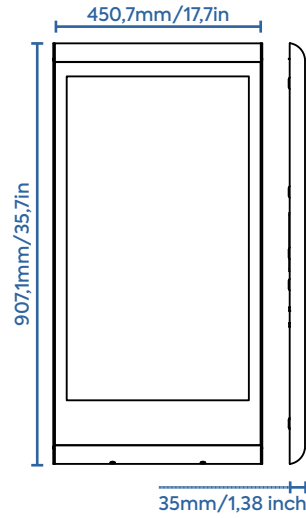
32 inch

Full measurements
metric and imperial

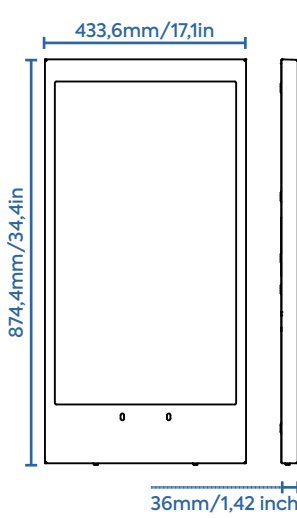
FRAMELESS COVER



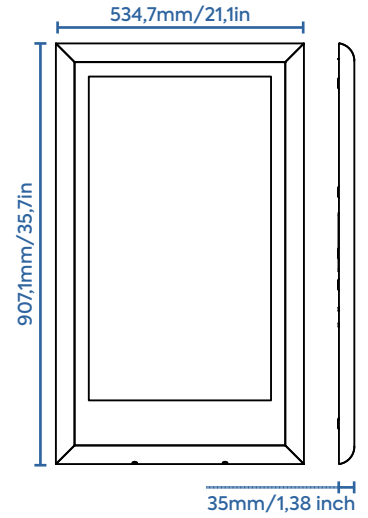
FRAMECOVER NARROW



SAFETY COVER



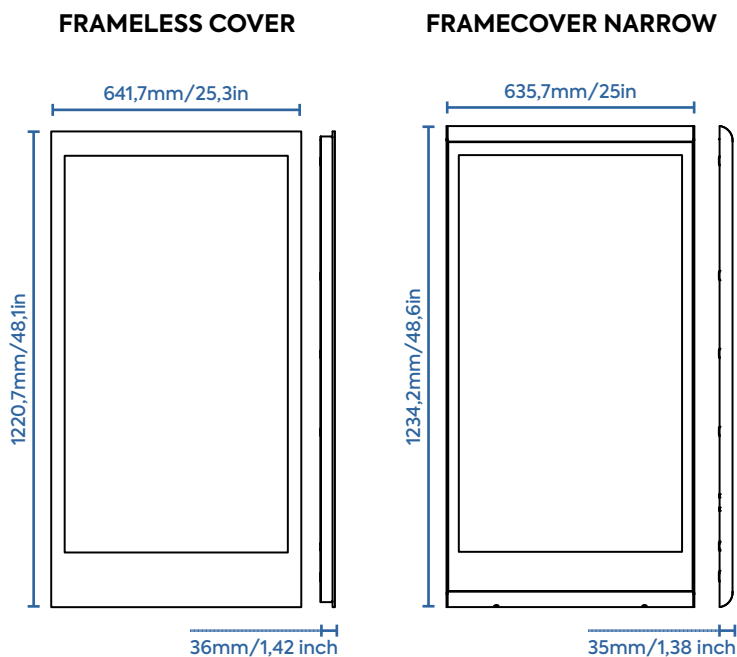
FRAMECOVER WIDE



| | | 32 LS | 32 PT |
|-----------------------|-----------------------------|------------------------|------------------|
| Panel specifications | Panel size | 31,5 inch | |
| | Panel Brightness | 400 cd/m ² | |
| | Contrast Ratio | 4000:1 (Typ.) | |
| | Display resolution | 1920 x 1080 | |
| | Viewing Angle | 89/89/89/89 (Typ.) | |
| | Pixel Pitch | 363.7 x 363.7 | |
| | Frame Rate | 60Hz | |
| Power | Operating voltage | 24V DC | |
| | Power adapter | 90W | |
| | Power consumption (typical) | 55W | |
| | POE (Optional) | NA | |
| Warranty | Warranty period | 3 year warranty | |
| | Lifetime TFT panel | 50.000 hours | |
| Environmental | Weight | 24kg/52,9lb | 24kg/52,9lb |
| | Operating temperature | 10 to 40 Celsius | |
| | Operating Humidity | 10~80%, non-condensing | |
| Transport and storage | Package weight | 25kg/55,1lb | 25kg/55,1lb |
| | Package size | 105 x 67 x 12 cm | 105 x 67 x 12 cm |
| | Storage temperature | -20 to 45 Celsius | |
| | Storage humidity | 5~95%, non-condensing | |
| Options | PCAP Multi-touch | On request | On request |
| | Extended Warranty | 5 year warranty | |

46 inch

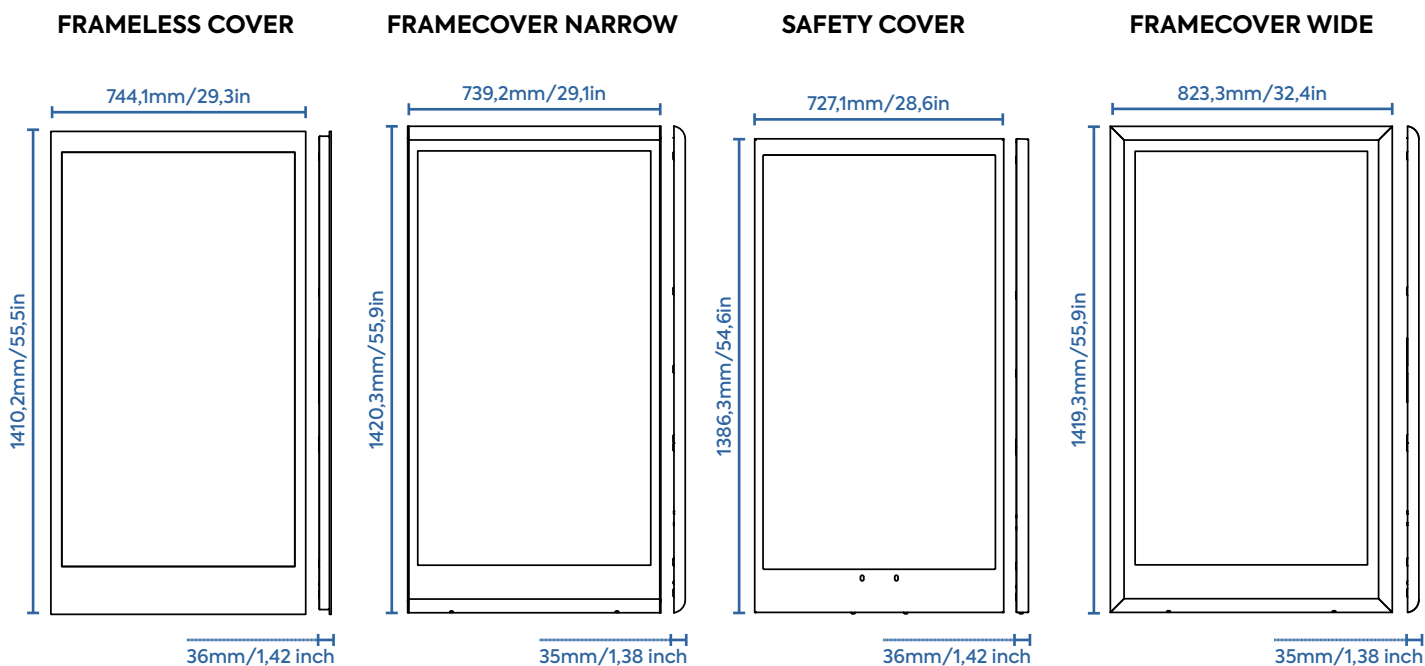
Full measurements
metric and imperial



| | | 46 LS | 46 PT |
|-----------------------|-----------------------------|------------------------|------------------|
| Panel specifications | Panel size | 46 inch | |
| | Panel Brightness | 700 cd/m ² | |
| | Contrast Ratio | 4000:1 (Typ.) | |
| | Display resolution | 1920 x 1080 | |
| | Viewing Angle | 89/89/89/89 (Typ.) | |
| | Pixel Pitch | 530.25 x 530.25 | |
| | Frame Rate | 60Hz | |
| Power | Operating voltage | 24V DC | |
| | Power adapter | 120W | |
| | Power consumption (typical) | 96W | |
| | POE (Optional) | NA | |
| Warranty | Warranty period | 3 year warranty | |
| | Lifetime TFT panel | 50.000 hours | |
| Environmental | Weight | 30kg/66,1lb | 30kg/66,1lb |
| | Operating temperature | 10 to 40 Celsius | |
| | Operating Humidity | 10~80%, non-condensing | |
| Transport and storage | Package weight | ≈ 50kg/110lb | ≈ 50kg/110lb |
| | Package size | 100 x 130 x 20 cm | 138 x 80 x 20 cm |
| | Storage temperature | -20 to 45 Celsius | |
| | Storage humidity | 5~95%, non-condensing | |
| Options | PCAP Multi-touch | On request | On request |
| | Extended Warranty | 5 year warranty | |

55 inch

Full measurements
metric and imperial



| | | 55 LS | 55 PT |
|-----------------------|-----------------------------|------------------------|-------------------|
| Panel specifications | Panel size | 54,6 inch | |
| | Panel Brightness | 450 cd/m ² | |
| | Contrast Ratio | 4000:1 (Typ.) | |
| | Display resolution | 1920 x 1080 | |
| | Viewing Angle | 89/89/89/89 (Typ.) | |
| | Pixel Pitch | 630 x 630 | |
| | Frame Rate | 60Hz | |
| Power | Operating voltage | 24V DC | |
| | Power adapter | 120W | |
| | Power consumption (typical) | 103W | |
| | POE (Optional) | NA | |
| Warranty | Warranty period | 3 year warranty | |
| | Lifetime TFT panel | 50.000 hours | |
| Environmental | Weight | 40kg/88,2lb | 40kg/88,2lb |
| | Operating temperature | 10 to 40 Celsius | |
| | Operating Humidity | 10~80%, non-condensing | |
| Transport and storage | Package weight | ≈ 70kg/154lb | ≈ 70kg/154lb |
| | Package size | 120 x 160 x 20 cm | 170 x 100 x 20 cm |
| | Storage temperature | -20 to 45 Celsius | |
| | Storage humidity | 5~95%, non-condensing | |
| Options | PCAP Multi-touch | On request | On request |
| | Extended Warranty | 5 year warranty | |